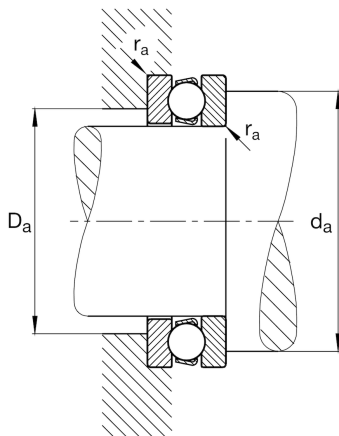
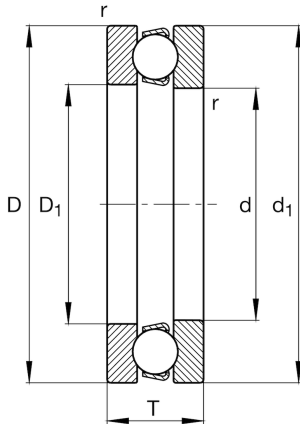
**FAG****51411**

Axial deep groove ball bearing

Schaeffler ID:
0167154700000Axial deep groove ball bearing 514, single
direction, steel sheet metal cage

Technical information

**Main Dimensions & Performance Data**

d	55 mm	Bore diameter
D	120 mm	Outside diameter
T	48 mm	Height
C_a	167,000 N	Basic dynamic load rating, axial
C_{0a}	315,000 N	Basic static load rating, axial
C_{ua}	14,400 N	Fatigue load limit, axial
n_G	2,340 1/min	Limiting speed
n_{gr}	6,000 1/min	Reference speed
	2.533 kg	Weight

Dimensions

r_{min}	1.5 mm	Minimum chamfer dimension
D_1	57 mm	Bore diameter housing washer
d_1	120 mm	Lip diameter shaft washer

Mounting dimensions

$d_{a min}$	94 mm	Minimum diameter shaft shoulder
$D_{a max}$	81 mm	Maximum diameter of housing shoulder
$r_{a max}$	1.5 mm	Maximum recess radius

Additional information

A	0.59	Minimum load factor
---	------	---------------------

Temperature range

T_{min}	-30 °C	Operating temperature min.
T_{max}	150 °C	Operating temperature max.